


BOSCH

Invented for life

DME Series Compact Prepackaged Fixed Dome Cameras



- ▶ **Integrated fixed camera with CS mount lens**
- ▶ **Available in color or monochrome, standard and high resolution**
- ▶ **3–8 mm and 5–50 mm varifocal lens options**
- ▶ **12.45 cm (4.9 in.) dome and 15.24 cm (6 in.) height**
- ▶ **Indoor, in-ceiling and pendant pipe or wall-mount options available**
- ▶ **Optional plenum-rated backbox**
- ▶ **Full 180° camera adjustment range**
- ▶ **Test coax connector included for quick setup**
- ▶ **UTP transmitter option**

The DME Series Indoor Dome Cameras discretely monitor your premises and protect your business from unwanted events. The DME Series' compact design and charcoal color blend into most decors, while concealing features that allow viewing distances of over 152.4 m (500 ft).

The 24 VAC/12 VDC camera module is available as standard resolution or high resolution, monochrome or color. It is assembled with a 3–8 mm or 5–50 mm varifocal lens. For pendant-mount or in-ceiling dome applications, a slotted inner liner inside the dome hides the direction that the camera is pointing. All modules can be ordered equipped with unshielded twisted pair transmitters.

The DME Series Cameras are easy to install and require minimal setup time. A diagnostic coax cable is supplied with all domes, allowing the installer to set the camera view on-site with a small test monitor at the dome location. Mounting options include in-ceiling, pendant pipe, and pendant wall-mount versions. For plenum installations, a plenum-rated metal backbox can be purchased separately.

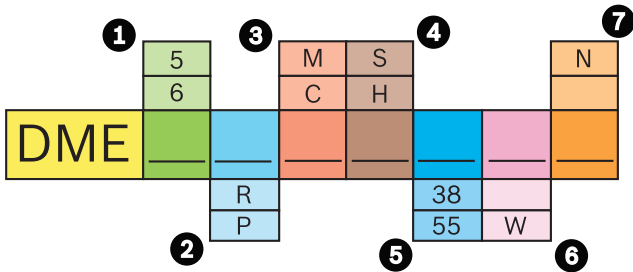
Installation/Configuration Notes

Ordering Information

Use the chart to create your order numbers based on the example below.

Certifications and Approvals

Electromagnetic Compatibility (EMC)	Complies with FCC Part 15, ICES-003 and CE Regulations
Product Safety	Complies with CE Regulations, UL, CSA, EN and IEC Standards



DME Ordering Guide

1 Video Format

- 5 PTZ PAL
- 6 PTZ NTSC

2 Enclosure

- R In-ceiling
- P Indoor Pendant

3 Camera Type

- M B/W
- C Color

4 Resolution

- S Standard
- H High

5 Lens

- 38 3-8 mm
- 55 5-50 mm

6 Mount Pendant

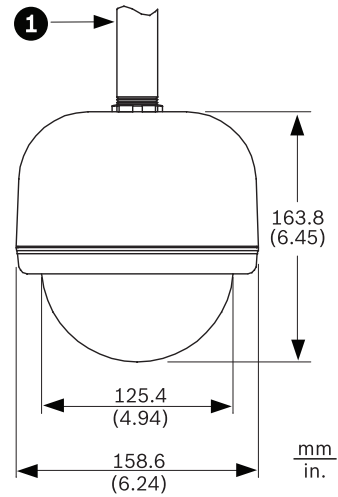
- Pipe
- W Wall

7 Communications

- N UTP
- Standard

Sample: **DME 6 P C H 55 W N**

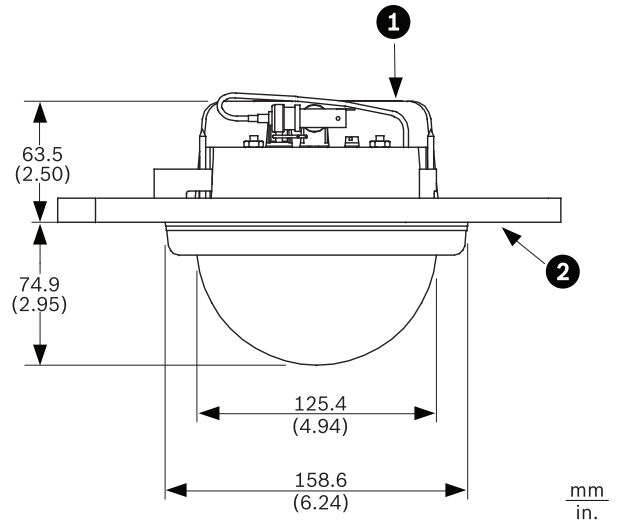
Option	Description
DME	DME Series Compact Prepackaged Camera
6	24 VAC, 60 Hz
P	Indoor pendant
C	Color
H	High resolution
55	5-50 mm varifocal lens
W	Wall mount
N	UTP transmitter option



Pendant Pipe-mount Dimensional Outline

Reference Description

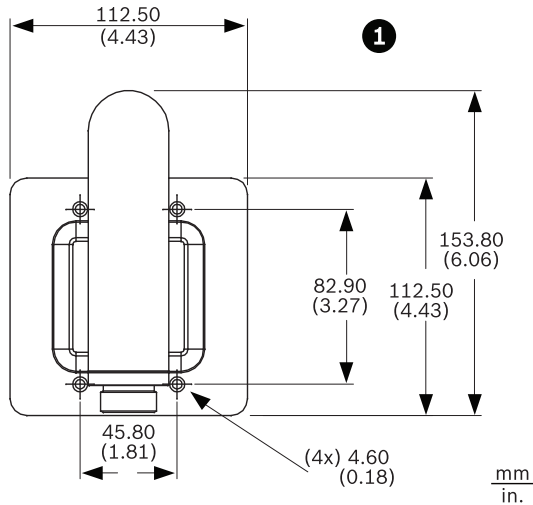
- 1 Threaded conduit with two conduit nuts. Size 3/4 in. or PG-21, (supplied by consumer)



Ceiling-mount Dimensional Outline

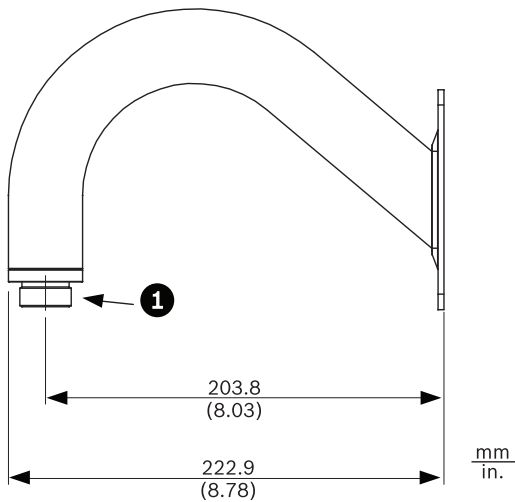
Reference Description

- 1 Coaxial cable for setup
- 2 Ceiling cut hole



Pendant Wall-mount Dimensional Outline

Reference	Description
1	Hole pattern permits mounting of unit to a standard North American double-outlet electrical box using four screws (included).



Pendant Wall-mount Dimensional Outline

Reference	Description
1	3/4-14 NPSM thread, conduit nut (included)

Technical Specifications

Camera—Monochrome

Camera	MS Series	MH Series
Imager	Interline Transfer CCD, 1/4 in. format	
Active Picture Elements (H x V)	512 x 492 EIA	768 x 492 EIA
	512 x 482 CCIR	752 x 582 CCIR

Sensitivity (3200 K)

Scene Illumination ¹ fc	0.02	0.02
Usable Picture lx	0.2	0.2

1. f/1.2 lens, 89% reflectance 50 IRE.

Horizontal Resolution	380 TVL	570 TVL
White Balance	N/A	N/A

Camera—Color

Camera	CS Series	CH Series
Imager	Interline transfer CCD, 1/4 in. format	
Active Picture Elements (H x V)	512 x 492 NTSC	768 x 492 NTSC
	512 x 482 PAL	752 x 582 PAL

Sensitivity (3200 K)

Scene Illumination ² fc	0.16	0.16
Usable Picture lx	1.6	1.6

2. f/1.2 lens, 89% reflectance 50 IRE.

Horizontal Resolution	330 TVL	480 TVL
White Balance	Automatic sensing (2500–9000 K)	

Camera—Monochrome and Color

Signal-to-Noise	>48 dB
Electronic Shutter	Automatic, 1/60 to 1/100,000
Backlight Compensation	Selectable, on/off
Video Output	Composite video 1.0 Vp-p, 75 Ohm
Synchronization	Line-lock, crystal-lock
Phase Delay	0–350°

Connector

Video	BNC connector
Power	Screw terminal block

Voltage Range

DME5xx Series	12 to 28 VAC, 50 Hz or 11 to 32 VDC
DME6xx Series	12 to 28 VAC, 60 Hz or 11 to 32 VDC

Power	3 W
-------	-----

Lens

-38 Series	3.0–8.0 mm, f/1.0 to 360, auto iris
-55 Series	5.0–50 mm, f/1.4 to 185, auto iris

Environmental

Operating Temperature	-10°C to 45°C (14°F to 113°F)
-----------------------	-------------------------------

Enclosure Protection

DME5R, DME6R Series	Plenum rated with DMEBX or DMEBXR backbox
---------------------	---

Options

N Suffix	Includes unshielded twisted pair transmitter
----------	--

Mechanical**Housing**

Construction	ABS plastic housing and inner liner; lower capsule is a tinted acrylic dome with 0.5 f/stop loss
Finish	Charcoal
Weight	0.63 kg (1.4 lb)

Mounting Bracket

- P Series	Adapts to PG-21 (3/4 in.) electrical conduit (not included)
- W Series	MTDMEW wall-mount (included)

Accessories

Mounting Hardware	DMEBX plenum rated backbox, for in-ceiling models DMEBXR plenum rated backbox and support rails, for in-ceiling models
-------------------	--

Other Models

DMER	Dummy dome, in-ceiling mount
DMEP	Dummy dome, pendant pipe-mount
DMEPW	Dummy dome, pendant wall-mount

Ordering Information**DME Series Compact Prepackaged Fixed Dome Cameras**

24 VAC/12 VDC, 3–8 mm and 5–50 mm vari-focal lens options

DME Series

Americas:
Bosch Security Systems, Inc.
130 Perinton Parkway
Fairport, New York, 14450, USA
Phone: +1 800 289 0096
Fax: +1 585 223 9180
security.sales@us.bosch.com
www.boschsecurity.us

Europe, Middle East, Africa:
Bosch Security Systems B.V.
P.O. Box 80002
5600 JB Eindhoven, The Netherlands
Phone: +31 40 2577 284
Fax: +31 40 2577 330
emea.securitysystems@bosch.com
www.boschsecurity.com

Asia-Pacific:
Bosch Security Systems Pte Ltd
38C Jalan Pemimpin
Singapore 577180
Phone: +65 6319 3450
Fax: +65 6319 3499
apr.securitysystems@bosch.com
www.boschsecurity.com

Represented by