



**BOSCH**  
Invented for life

# LTC 9480 & LTC 9488 Series Housings Outdoor



- ▶ For 1/4-inch, 1/3-inch & 1/2-inch CCD Cameras
- ▶ Feed-through Wiring Option
- ▶ Aluminum and Advanced Polymer Construction
- ▶ Easy Installation
- ▶ Full Camera Accessibility
- ▶ Available in Multiple Sizes
- ▶ Multiple Accessories Available

The LTC 948x Series Housings are smartly styled housings for outdoor use. These housings meet customers' demands for attractive housings that are both cost competitive and easy to install. They are available in multiple sizes to fit a wide range of cameras and lenses.

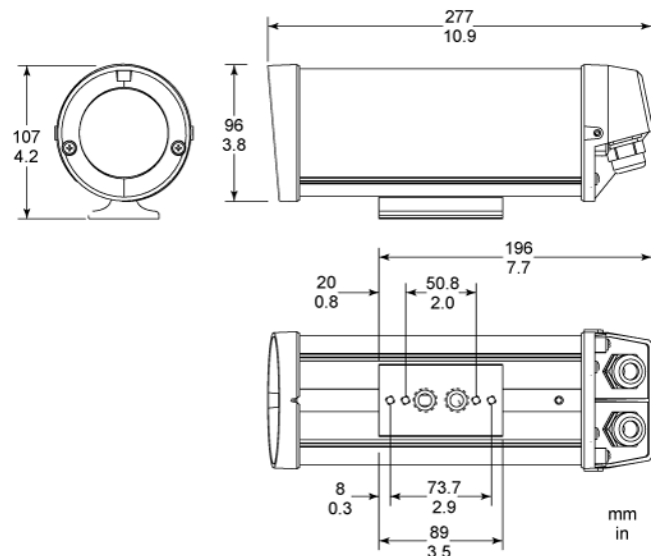
## Functions

The design of these housings is unique. Removal of two captive screws is all that is necessary to slide off the cover and totally expose the camera and lens. This allows access to all camera and lens controls when the camera is in its mounted position. Power, video, and lens control cabling can be routed through liquid tight fittings in the bottom rear of the housing or can be routed through the mounting base. Feed-through mounts and J-mounts are available for these housings to completely hide the cabling.

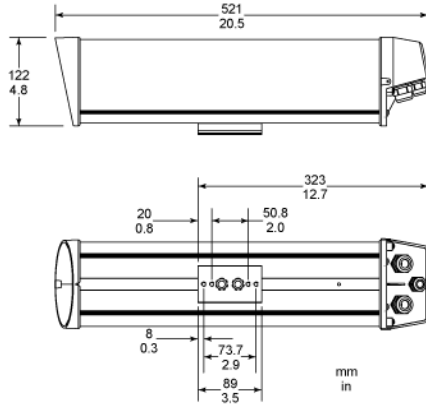
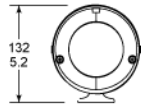
The base of the housings permits mounting to pan/tilts, adjustable heads, and various wall mounts.

These sturdily constructed housings are available with a preinstalled heater or a preinstalled heater and blower. The heater maintains the internal temperature of the housing in cold temperature conditions and the heater/blower combination minimizes fogging in high humidity locations and extends the temperature limits.

## Installation/Configuration Notes



LTC 9480 Series



LTC 9488 Series

**Technical Specifications**

**Electrical**

Model No.	Preinstalled Heater or Heater/Blower <sup>1)</sup>	Volt / Pow V/W	Camera Models with these Voltage Ratings
<b>Outdoor Units</b>			
LTC 9480/xx <sup>2)</sup>	-	-	24 VAC
LTC 9488/xx <sup>2)</sup>	-	-	24 VAC 115 VAC 230 VAC

Model No.	Preinstalled Heater or Heater/Blower <sup>1)</sup>	Volt / Pow V/W	Camera Models with these Voltage Ratings
<b>Outdoor Units</b>			
LTC 9480/20 <sup>2)</sup>	Heater	24/15 V/W	24 VAC
LTC 9488/20	Heater	24/40 V/W	24 VAC
LTC 9488/21	Heater/Blower	24/42 V/W	24 VAC
LTC 9488/50	Heater	230/40 V/W	230 VAC
LTC 9488/60	Heater	115/40 V/W	115 VAC
LTC 9488/61	Heater/Blower	115/45 V/W	115 VAC

1) The heaters and blowers for all models operate at 50/60 Hz.

2) Available with wall-mount; add "MT" suffix.

**Mechanical**

**Maximum Camera and Lens:**

LTC 9480/20	68 W x 58 H x 197 L mm (2.68 x 2.6 x 7.75 inch) <sup>1)</sup>
LTC 9488/20	71 W x 71 H x 356 L mm (2.8 x 2.8 x 14.0 inch) <sup>1)</sup>
LTC 9488/50	71 W x 71 H x 356 L mm (2.8 x 2.8 x 14.0 inch) <sup>1)</sup>
LTC 9488/60	71 W x 71 H x 356 L mm (2.8 x 2.8 x 14.0 inch) <sup>1)</sup>
LTC 9488/21	71 W x 71 H x 318 L mm (2.8 x 2.8 x 12.5 inch) <sup>2)</sup>
LTC 9488/61	71 W x 71 H x 318 L mm (2.8 x 2.8 x 12.5 inch) <sup>2)</sup>

1) With Heater

2) With Heater And Blower

**Cable Entry**

**LTC 9480 Series Outdoor Housing**

Two (2) liquid tight rear fittings accept cable diameters from 4.3 mm to 11.9 mm (0.17 inch to 0.47 inch). Two (2) bottom feed-through liquid tight fittings accept cable diameters from 4.6 mm to 7.9 mm (0.18 inch to 0.31 inch).

**LTC 9488 Series Outdoor Housing**

Three (3) liquid tight rear fittings, two (2) of which accept cable diameters from 4.3 mm to 11.9 mm (0.17 inch to 0.47 inch) and one (1) that accepts cable diameters from 4.6 mm to 7.9 mm (0.18 inch to 0.31 inch). Two (2) bottom feed-through liquid tight fittings accept cable diameters from 4.6 mm to 7.9 mm (0.18 inch to 0.31 inch).

Window	3 mm (0.12 inch) thick UV-stabilized polycarbonate.
Housing Mounting	Four (4) available 1/4-20 tapped holes. Only one set of two is required for mounting.
Camera Mounting	Removable camera bracket. Mounted with two screws.

**Cable Entry**

Construction	Aluminum cover, aluminum base, aluminum mounting foot, polycarbonate faceplate, glass reinforced polycarbonate end caps, neoprene gasket, ethylene propylene seal, and all stainless steel hardware.
Finish	Dark mushroom.
Dimensions	See drawings.
Weight (approx.)	LTC 9480 Series: 1.4 kg (3 lb) LTC 9488 Series: 3.2 kg (7 lb)

**Environmental**

Temperature	At external temperature of -40 °C to 50 °C (-40 °F to 122 °F), maintains internal temperatures between -20 °C and 55 °C (-4 °F to 131 °F) with heater/blower.
Salt Atmosphere	MIL-STD-810E, Method 509, Procedure 1.
Enclosure Protection	IP65, Designed to meet NEMA- 4

**Electromagnetic Compatibility**

Safety	UL, cUL, CE
--------	-------------

**Accessories**

Sunshield	Provides protection from the direct rays of sun and promotes cooling to reduce internal housing temperatures. Strongly recommended for housing that is to be used outdoors.	
LTC 9083/01S	For LTC 9480 Series housings	
LTC 9088/01	For LTC 9488 Series housings	
LTC9080/00 Tamper Resistant Kit	Includes ten 10 screws and insertion tool to permit tamper resistance for five (5) housings.	
LTC9215/00 Mount	Feed-through mount attached to the foot of housing for LTC 9483, LTC 9484 & LTC 9488 Series housings.	
LTC 9215/00S Mount	Feed-through mount attached to the foot of housing for LTC 9480 Series housings.	
LTC9219/01 J-mount	Feed-through J-mount allows housing to be mounted from ceiling.	
LTC 9480/20 HTR Heater	15 W heater for LTC 9480/00.	

**Suggested Applications:**

	LTC 9480	LTC 9488
<b>Camera Model</b>	<b>Lens</b>	<b>Lens</b>
LTC 0335	Fixed/Vari	Fixed/Vari/ Zoom
LTC 0355	Fixed/Vari	Fixed/Vari/ Zoom
LTC 0435	Fixed/Vari	Fixed/Vari/ Zoom
LTC 0455	Fixed/Vari	Fixed/Vari Zoom

**Ordering Information**

LTC 9480/20 Outdoor Housing for camera/lens to 7-inch, 3-in dia, 24 VAC, 50/60 Hz, heater	LTC9480/20
LTC 9488/20 Outdoor Housing for camera/lens to 14-inch, 24 VAC, 50/60 Hz, heater	LTC9488/20
LTC 9488/21 Outdoor Housing for camera/lens to 13-inch, 24 VAC, 50/60 Hz, heater, blower	LTC9488/21
LTC 9488/50 Outdoor Housing for camera/lens to 14-inch, 230 VAC, 50 Hz, heater	LTC9488/50
LTC 9488/60 Outdoor Housing for camera/lens to 14-inch, 110 VAC, 60 Hz, heater	LTC9488/60
LTC 9488/61 Outdoor Housing for camera/lens to 13-inch, 120 VAC, 60 Hz, heater, blower	LTC9488/61

**Accessories**

LTC 9219/01 Feed-through J Mount for 15-inch, 9 kg (20 lb) max load, for 938x & 948x series housings, light gray finish	LTC9219/01
LTC 9215/00 Wall Bracket for 12-inch, 9 kg (20 lb) max load, for 9380x & 948x series housings, feed-through version, light gray finish	LTC9215/00
LTC 9215/00S Short Wall Bracket for 7-inch, 9 kg (20 lb) max load, for 938x & 948x series housings, feed-through version, light gray finish	LTC9215/00S
LTC 9083/01S Sunshield for LTC 9480 series housings	LTC9083/01S
LTC 9088/01 Sunshield for LTC 9488 series housings	LTC9088/01
LTC 9080/00 Tamper Kit for LTC 9480 series housings, up to 5 housings	LTC9080/00
LTC9383/00 Sunshield	LTC9383/00
LTC9388/00 Sunshield	LTC9388/00
TC1366 Sunshield 6.0 inch diafragm 22-26 inch housings	TC1366
TC1366-21 Sunshield 6.0 inch diafragm 15 inch housings	TC1366-21

**Europe, Middle East, Africa:**  
Bosch Security Systems B.V.  
P.O. Box 80002  
5600 JB Eindhoven, The Netherlands  
Phone: + 31 40 2577 284  
Fax: +31 40 2577 330  
emea.securitysystems@bosch.com  
www.boschsecurity.com

**Americas:**  
Bosch Security Systems, Inc.  
130 Perinton Parkway  
Fairport, New York, 14450, USA  
Phone: +1 800 289 0096  
Fax: +1 585 223 9180  
security.sales@us.bosch.com  
www.boschsecurity.us

**Asia-Pacific:**  
Bosch Security Systems Pte Ltd  
38C Jalan Pemimpin  
Singapore 577180  
Phone: +65 6319 3450  
Fax: +65 6319 3499  
apr.securitysystems@bosch.com  
www.boschsecurity.com

**Represented by**