



## Varifocal Lenses



For optimizing angular fields right on site, varifocal lenses are the most versatile and practical solution available. These lenses allow for setting virtually any angle of field, which maximizes surveillance effects. Installers do not need to carry several different focal length lenses – and installation is more efficient because they can find the right angles of field without moving the camera set-up. If the field-of-view requirements change after installation, modification is simple by just altering the lens' focal length settings.

### Functions

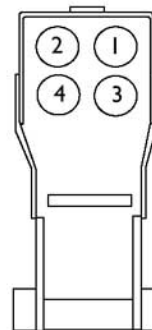
This series includes both manual and DC-iris varifocal lenses. They are compact, rugged, and available in 1/3-inch and 1/2-inch image formats. The series is organized by sensitivity, optical resolution, and range to match the wide range of Dinion camera applications.

These varifocal lenses come with a standard C or CS mount for use with a variety of cameras. The DC-iris control connection is a four-pin standard plug that fits directly into the camera's iris output. And the lenses deliver impressive optical quality due to their high standards for resolution, contrast reproduction, and coating.

- ▶ High-quality optics
- ▶ 1/3-inch and 1/2-inch formats
- ▶ Reliable, robust construction
- ▶ Focal length options
- ▶ Compact design
- ▶ Manual and DC-iris versions
- ▶ Manual focus and zoom control

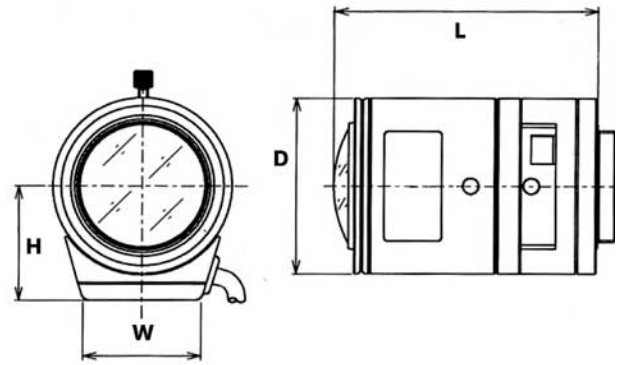
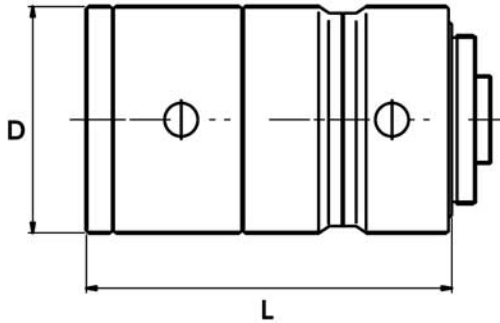
The mechanical construction is designed to withstand both frequent DC-iris control operations and the environmental stress of security installations. For flexible, high-quality, reliable lenses that match a camera's performance, this varifocal series is the ideal solution.

### Installation/Configuration Notes



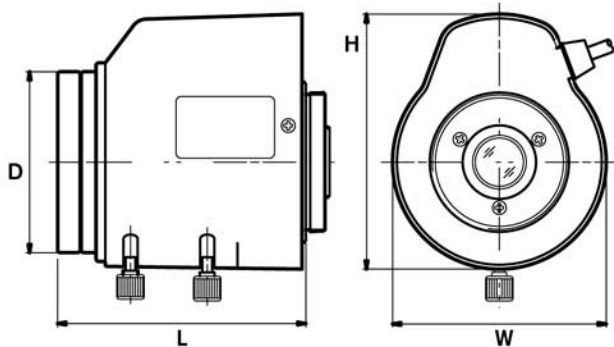
4-pin DC-iris connector (front view)

Pin 1:	Damping coil -
Pin 2:	Damping coil +
Pin 3:	Driving coil + (open)
Pin 4:	Driving coil -



Lens type	L mm (in)	D mm (in)
LTC 3361/32	42 (1.65)	36 (1.42)
LTC 3361/41	59 (2.32)	44 (1.73)
LTC 3361/50	55(2.17)	34 (1.34)
LTC 3361/60	45.3 (1.78)	33 (1.3)
LTC 3371/21	59.2 (2.33)	42 (1.65)
LTC 3371/50	61.5 (2.42)	44 (1.73)

Lens Type	L mm (in)	D mm (in)	H mm (in)	W mm (in)
LTC 3364/32	42 (1.65)	33 (1.3)	25.5 (1.0)	22.7 (0.89)
LTC 3364/41	59 (2.32)	41 (1.61)	26 (1.02)	26 (1.02)
LTC 3374/21	59.2 (2.33)	40 (1.57)	32 (1.26)	24.6 (0.97)
LTC 3664/40	59 (2.32)	44 (1.73)	26.2 (1.03)	26.4 (1.04)
LTC 3674/20	55.2 (2.17)	38 (1.5)	27.2 (1.07)	31 (1.22)
LTC 3764/20	53.9 (2.12)	40 (1.57)	31 (1.22)	24.6 (0.97)
LTC 3774/30	62 (2.44)	38.6 (1.52)	31.1 (1.22)	31.8 (1.25)



Lens Type	L mm (in)	D mm (in)	H mm (in)	W mm (in)
LTC 3274/41	77 (3.03)	42 (1.65)	56.8 (2.24)	46.5 (1.83)
LTC 3364/21	44 (1.73)	35.2 (1.39)	45.7 (1.8)	40.4 (1.59)
LTC 3664/30	44.4 (1.75)	35.2 (1.39)	44.7 (1.76)	38.3 (1.51)
LTC 3364/50	55 (2.17)	34 (1.34)	46 (1.81)	40 (1.57)
LTC 3364/60	45.3 (1.78)	33 (1.3)	46.5 (1.83)	39 (1.54)
LTC 3374/50	61.5 (2.42)	44 (1.73)	52.2 (2.06)	44.4 (1.75)

### Technical Specifications

#### Electrical/mechanical

See comparison table at the end of this datasheet.

#### Environmental

Operating Temperature -10°C to +50°C (+14°F to +122°F)

Storage Temperature -40°C to +70°C (-40°F to +158°F)

Operating Humidity Up to 93% non-condensing

Certification CE (DC-iris models)

### Ordering Information

**LTC 3361/50 Varifocal Lens** **LTC3361/50**  
 1/3-inch, 2.8 – 10 mm, manual-iris, CS-mount  
 F1.4-close

**LTC 3364/50 Varifocal Lens** **LTC3364/50**  
 1/3-inch, 2.8 – 10 mm, DC-iris, CS-mount,  
 F1.4-360, 4 pin

**LTC 3361/60 Varifocal Lens** **LTC3361/60**  
 1/3-inch, 3.5 – 8 mm, manual-iris, CS-mount  
 F1.4-close

**LTC 3364/60 Varifocal Lens** **LTC3364/60**  
 1/3-inch, 3.5 – 8 mm, DC-iris, CS-mount  
 F1.4-360, 4-pin

**LTC 3361/32 Varifocal Lens** **LTC3361/32**  
 1/3-inch, 3.0 – 8 mm, manual-iris, CS-  
 mount F1.0-close

### Ordering Information

<b>LTC 3364/32 Varifocal Lens</b> 1/3-inch, 3.0 to 8 mm, DC-iris, CS-mount F1.0-360, 4-pin	<b>LTC 3364/32</b>
<b>LTC 3361/41 Varifocal Lens</b> 1/3-inch, 2.8 to 12 mm, manual-iris, CS-mount F1.4-close	<b>LTC 3361/41</b>
<b>LTC 3364/41 Varifocal Lens</b> 1/3-inch, 2.8 to 12 mm, DC-iris, CS-mount F1.4-360, 4-pin	<b>LTC 3364/41</b>
<b>LTC 3371/50 Varifocal Lens</b> 1/3-inch, 5 – 50 mm, manual iris, CS-mount F1.7-close	<b>LTC3371/50</b>
<b>LTC 3374/50 Varifocal Lens</b> 1/3-inch, 5 – 50 mm, DC-iris, CS-mount F1.7-360, 4-pin	<b>LTC3374/50</b>
<b>LTC 3371/21 Varifocal Lens</b> 1/3-inch, 5 to 50 mm, manual iris, CS-mount F1.4-close	<b>LTC 3371/21</b>
<b>LTC 3374/21 Varifocal Lens</b> 1/3-inch, 5 to 50 mm, DC-iris, CS-mount F1.4-360, 4-pin	<b>LTC 3374/21</b>
<b>LTC 3364/21 Varifocal Lens IR corrected</b> 1/3-inch, 2.8 – 6 mm, DC-iris, CS-mount F1.4-200, 4-pin	<b>LTC3364/21</b>
<b>LTC 3664/30 Varifocal Lens IR corrected</b> 1/3-inch, 3.0 – 8 mm, DC-iris, CS-mount F1.0-360, 4-pin	<b>LTC3664/30</b>
<b>LTC 3664/40 Varifocal Lens IR corrected</b> 1/3-inch, 2.8 – 11 mm, DC-iris, CS-mount F1.4-360, 4-pin	<b>LTC3664/40</b>
<b>LTC 3674/20 Varifocal Lens IR corrected</b> 1/3-inch, 7.5 – 50 mm, DC-iris, CS-mount F1.3-360, 4-pin	<b>LTC 3674/20</b>
<b>LTC 3764/20 Varifocal Lens IR corrected</b> 1/2-inch, 4 – 12 mm, DC-iris, C-mount F1.2-360, 4-pin	<b>LTC 3764/20</b>
<b>LTC 3774/30 Varifocal Lens IR corrected</b> 1/2-inch, 10 – 40 mm, DC-iris, C-mount F1.4-360, 4-pin	<b>LTC 3774/30</b>
<b>LTC 3274/41 Varifocal Lens</b> 1/2-inch, 7.5 – 75 mm, DC-iris, C-mount, F1.7-360, 4-pin	<b>LTC3274/41</b>
<b>Accessories</b>	
<b>S1374 Adapter</b> converts C mount lens to CS mount camera	<b>S1374</b>

## Varifocal Lenses 1/3 and 1/2 inch



LTC 3361/50



LTC 3364/50



LTC 3361/60



LTC 3364/60

<b>Image format</b>	1/3 inch	1/3 inch	1/3 inch	1/3 inch
<b>Focal length</b>	2.8 – 10 mm	2.8 – 10 mm	3.5 – 8 mm	3.5 – 8 mm
<b>Iris range</b>	F1.4 to close	F1.4 - 360	F1.4 to close	F1.4 - 360
<b>Min object distance</b>	0.3 m (1 ft)	0.3 m (1 ft)	0.3 m (1 ft)	0.3 m (1 ft)
<b>Back focus distance</b>	7.8 mm (0.3 in)	7.8 mm (0.3 in)	8.4 mm (0.33 in)	8.4 mm (0.33 in)
<b>Weight</b>	57 g (0.13 lb)	69 g (0.15 lb)	41 g (0.1 lb)	53 g (0.12 lb)
<b>Lens mount</b>	CS	CS	CS	CS
<b>Angle view Wide (1/3 in)</b>	83 x 62.4	83 x 62.4	77.6 x 58.2	77.6 x 58.2
<b>Angle view Tele (1/3 in)</b>	28.8 x 21.6	28.8 x 21.6	33.6 x 25	33.6 x 52
<b>Angle view Wide (1/2 in)</b>	-	-	-	-
<b>Angle view Tele (1/2 in)</b>	-	-	-	-
<b>Iris control</b>	manual	4-pin, DC control	manual	4-pin, DC control
<b>Focus ctrl</b>	manual	manual	manual	manual
<b>Zoom ctrl</b>	manual	manual	manual	manual



LTC 3361/32



LTC 3364/32



LTC 3361/41



LTC 3364/41

<b>Image format</b>	1/3 inch	1/3 inch	1/3 inch	1/3 inch
<b>Focal length</b>	3 – 8 mm	3 – 8 mm	2.8 – 12 mm	2.8 – 12 mm
<b>Iris range</b>	F1.0 to close	F1.0 - 360	F1.4 to close	F1.4 - 360
<b>Min object distance</b>	0.2 m (0.66 ft)	0.2 m (0.7 ft) to inf.	0.3 m (1 ft)	0.3 m (1 ft) to inf.
<b>Back focus distance</b>	8.4 mm (0.33 in)	8.4 mm (0.33 in)	8.6 mm (0.34 in)	8.6 mm (0.34 in)
<b>Weight</b>	39 g (0.09 lb)	50 g (0.11 lb)	67 g (0.15 lb)	71 g (0.16 lb)
<b>Lens mount</b>	CS	CS	CS	CS
<b>Angle view Wide (1/3 in)</b>	91 x 66.9	91 x 66.6	97.4 x 72.5	97.4 x 72.5
<b>Angle view Tele (1/3 in)</b>	36 x 26.9	35.9 x 26.9	24.1 x 18.1	24.1 x 18.1
<b>Angle view Wide (1/2 in)</b>	-	-	-	-
<b>Angle view Tele (1/2 in)</b>	-	-	-	-
<b>Iris control</b>	manual	4-pin, DC control	manual	4-pin, DC control
<b>Focus ctrl</b>	manual	manual	manual	manual
<b>Zoom ctrl</b>	manual	manual	manual	manual

## Varifocal Lenses 1/3 and 1/2 inch



LTC 3371/50



LTC 3374/50



LTC 3371/21



LTC 3374/21

<b>Image format</b>	1/3 inch	1/3 inch	1/3 inch	1/3 inch
<b>Focal length</b>	5 – 50 mm	5 – 50 mm	5 – 50 mm	5 – 50 mm
<b>Iris range</b>	F1.7 to close	F1.7 - 360	F1.4 to close	F1.4 - 360
<b>Min object distance</b>	1 m (3.3 ft)	1 m (3.3 ft)	1 m (3.3 ft)	1 m (3.3 ft)
<b>Back focus distance</b>	7.6 mm (0.3 in)	7.6 mm (0.3 in)	10.05 mm (0.4 in)	10.05 mm (0.4 in)
<b>Weight</b>	149 g (0.33 lb)	160 g (0.35 lb)	75 g (0.17 lb)	84 g (0.19 lb)
<b>Lens mount</b>	CS	CS	CS	CS
<b>Angle view Wide (1/3 in)</b>	50 x 37.8	50 x 37.8	53.4 x 40.1	53.4 x 40.1
<b>Angle view Tele (1/3 in)</b>	5.5 x 4.1	5.5 x 4.1	5.3 x 4.1	5.3 x 4.1
<b>Angle view Wide (1/2 in)</b>	-	-	-	-
<b>Angle view Tele (1/2 in)</b>	-	-	-	-
<b>Iris control</b>	manual	4-pin, DC control	manual	4-pin, DC control
<b>Focus ctrl</b>	manual	manual	manual	manual
<b>Zoom ctrl</b>	manual	manual	manual	manual



LTC 3364/21



LTC 3364/30



LTC 3364/40



LTC 33674/20

<b>Image format</b>	1/3 inch (IR)	1/3 inch (IR)	1/3 inch (IR)	1/3 inch (IR)
<b>Focal length</b>	2.8 – 6 mm	3 – 8 mm	2.8 – 12 mm	7.5 – 50 mm
<b>Iris range</b>	F1.4 - 200	F1.0 - 360	F1.4 - 360	F1.3 - 360
<b>Min object distance</b>	0.3 m (1.0 ft)	0.3 m (1 ft) to inf.	0.3 m (1 ft) to inf.	0.4 m (1.3 ft)
<b>Back focus distance</b>	7.6 mm (0.3 in)	7.5 mm (0.3 in)	8.6 mm (0.34 in)	8.1 mm (0.32 in)
<b>Weight</b>	59 g (0.13 lb)	60 g (0.13 lb)	79 g (0.17 lb)	68 g (0.15 lb)
<b>Lens mount</b>	CS	CS	CS	CS
<b>Angle view Wide (1/3 in)</b>	96.9 x 72.5	93.2 x 69	97.4 x 72.4	36.6 x 27.4
<b>Angle view Tele (1/3 in)</b>	46.7 x 35.1	35.2 x 26.4	26.2 x 19.7	5.6 x 4.3
<b>Angle view Wide (1/2 in)</b>	-	-	-	-
<b>Angle view Tele (1/2 in)</b>	-	-	-	-
<b>Iris control</b>	4-pin, DC control	4-pin, DC control	4-pin, DC control	4-pin, DC control
<b>Focus ctrl</b>	manual	manual	manual	manual
<b>Zoom ctrl</b>	manual	manual	manual	manual

## Varifocal Lenses 1/3 and 1/2 inch



LTC 3764/20



LTC 3774/30



LTC 3274/41

	LTC 3764/20	LTC 3774/30	LTC 3274/41
<b>Image format</b>	1/2 inch (IR)	1/2 inch (IR)	1/2 inch
<b>Focal length</b>	4 – 12 mm	10 – 40 mm	7.5 – 75 mm
<b>Iris range</b>	F1.2 - 360	F1.4 - 360	F1.7 – 360
<b>Min object distance</b>	0.3 m (1.0 ft)	0.5 m (1.6 ft)	0.3 m (1 ft)
<b>Back focus distance</b>	9 mm (0.35 in)	12.4 mm (0.49 in)	8.5 mm (0.34 in)
<b>Weight</b>	68 g (0.15 lb)	87 g (0.19 lb)	220 g (0.48 lb)
<b>Lens mount</b>	C	C	C
<b>Angle view Wide (1/3 in)</b>	68.9 x 51.3	27.5 x 20.4	35.5 x 26.6
<b>Angle view Tele (1/3 in)</b>	23.4 x 17.5	7.0 x 5.2	3.7 x 2.8
<b>Angle view Wide (1/2 in)</b>	93.6 x 68.9	37.5 x 27.5	46.2 x 35.5
<b>Angle view Tele (1/2 in)</b>	31.2 x 23.4	9.2 x 7.0	4.9 x 3.7
<b>Iris control</b>	4-pin, DC control	4-pin, DC control	4-pin, DC control
<b>Focus ctrl</b>	manual	manual	manual
<b>Zoom ctrl</b>	manual	manual	manual

**Europe, Middle East, Africa:**  
 Bosch Security Systems B.V.  
 P.O. Box 80002  
 5600 JB Eindhoven, The Netherlands  
 Phone: + 31 40 2577 284  
 Fax: +31 40 2577 330  
 emea.securitysystems@bosch.com  
 www.boschsecurity.com

**Americas:**  
 Bosch Security Systems, Inc.  
 130 Perinton Parkway  
 Fairport, New York, 14450, USA  
 Phone: +1 800 289 0096  
 Fax: +1 585 223 9180  
 security.sales@us.bosch.com  
 www.boschsecurity.us

**Asia-Pacific:**  
 Bosch Security Systems Pte Ltd  
 38C Jalan Pemimpin  
 Singapore 577180  
 Phone: +65 6319 3450  
 Fax: +65 6319 3499  
 apr.securitysystems@bosch.com  
 www.boschsecurity.com

**Represented by**