

Panasonic

ideas for life

Weather Proof Super Dynamic III Color Dome Camera WV-CW974



All-in-One 24-Hour Outdoor Surveillance Camera Featuring Advanced Auto Tracking

The new intelligent WV-CW974 Outdoor Color Dome Camera from Panasonic integrates an outdoor housing with IP66 approval, a 360° high-speed rotating platform and a 30x optical zoom lens.

The camera features a new **Template Matching** algorithm, which makes the Auto Tracking of moving subjects more powerful. The camera provides high-accuracy detection of individuals by memorizing the characteristics of the subject including color, shape and contrast. Featuring not only Pan and Tilt but also smooth zoom gearing, the camera can also capture subjects more clearly. Users can operate the tracking lock to identify individuals on screen at the push of a button on an optional System Controller. Additionally, the masking feature can prevent unnecessary tracking by properly setting the tracking range in advance.

Super Dynamic III. High image quality with 540 TV lines of horizontal resolution. Minimum illumination intensities are 0.5 lux (0.005 fc) and 0.04 lux (0.004 fc)* in color mode and black and white mode, respectively. Additional features include Auto Image Stabilizer and Day/Night operation.

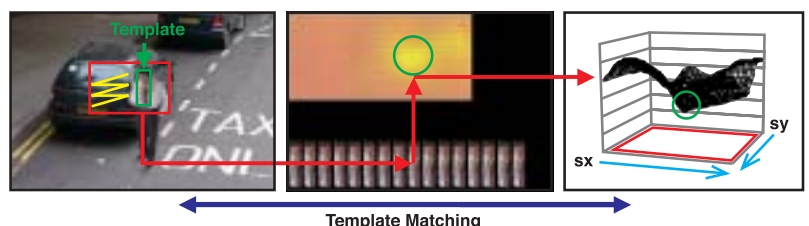
This camera is ideal for high traffic areas including airports, harbors, office buildings, schools, parking lots and any outdoor application. * With sens up off (AGC high)

KEY FEATURES

- New template matching algorithm provides advanced auto tracking capability.
 - *Tracks moving human objects accurately and keeps them smoothly centered in the field of view with pan/tilt and zoom.
 - *Specific object can be locked to track from optional system controller to support operator's activity.
 - *Masking can specify tracking area limit.
 - *Alarm output when auto tracking started.
 - *Frame is displayed to identify tracked object.
- IP66 of IEC 60529 standard for all weather proof environmental structure.
- Built-in fan/heater for temperature changes of -40°C ~ +50°C (-40°F ~ +122°F).
- Built-in sun shield permits camera locations in direct sunlight.
- The new Pixel Based 128x Dynamic Range with area free natural contrast image correction adjusts moment-to-moment changes in contrast to view subjects accurately in all areas and positions.
- Higher horizontal resolution of 540-line (typical) at color mode, and 570-line at B/W mode.
- Minimum illumination of 0.5 lux (0.05 fc) at color mode, and 0.04 lux (0.004 fc) at B/W mode (Sens. up; off, AGC High).
- Innovative intelligent features:
 - *Auto image stabilizer function for applications where vibration or wind is a concern, e.g. passing vehicles.
 - *Scene change detection alarms when lens is covered, spray painted, removed, defocused or camera angle is changed.
- Day/Night operation can be selected to automatically or manually switch from color to B/W.
- 30x optical zoom lens (3.8 - 114 mm) plus 10x electronic digital zoom for total zoom capacity of 300x.
- Panning speed of max. 400°/s at preset mode and 0.065°/s super fine control at manual mode.
- Multiplex-coaxial or RS-485 data communication.
- Four (4) alarm inputs and two (2) outputs terminals.
- 16 alphanumeric character display.
- Internal/Line-lock/Multiplexed Vertical Drive (VD2) synchronization.
- 24V AC, 60Hz power source.

New Template Matching Technology

The camera registers characteristics of the subject, including any color, shape and contrast when detecting movement on the screen. The camera realizes high-accuracy tracking of individuals by comparing such characteristics with surrounding images continuously.



SPECIFICATIONS

Model No.	WV-CW974
General	
Power Requirements	24 V AC, 60 Hz
Power Consumption	19 W (for camera), 62 W (for heater)
Pick-up Device	1/4-type (1/4") interline transfer CCD
Effective Pixels	768 (H) x 494 (V)
Scanning Area	3.65 mm (H) x 2.74 mm (V)
Signal	NTSC
Synchronization	Internal (INT), Multiplexed Vertical Drive (VD2), Line-Lock (LL)
Scanning	2:1 interlace
Scanning Frequencies	Horizontal: 15.734 kHz, Vertical: 59.94 Hz
Video Output	VBS: 1.0 V [p-p] / 75 Ω (BNC plug)
Resolution (Center)	Horizontal: 480 TV lines minimum (color NORMAL mode) 540 TV lines typical, 520 TV lines minimum (color HIGH mode) 570 TV lines minimum (black and white) Vertical: 350 TV lines minimum (Center)
Minimum Illumination	0.5 lux (0.05 fc) (color mode) 0.04 lux (0.004 fc) (black and white mode) SENS UP: OFF; AGC: HIGH
Dynamic Range	52 dB typical (Super Dynamic III : ON)
S/N Ratio	50 dB minimum (AGC: OFF)
Ambient Operating Temperature	-40 °C ~ +50 °C (-40 °F ~ +122 °F)
Ambient Operating Humidity	90 % max. (non-condensation) ¹⁾
Water Resistance	IP66 protection from water jets from a nozzle (IEC60529/JIS C 0920)
Dimensions	ø239 mm (D) x 395.5 mm (H) (ø9-7/16" (D) x 15-9/16" (H))
Weight	approx. 4.7 kg (10.4 lbs.)
Finish	Camera: Die cast aluminum, baked on coating (Paint color: Fine silver) Sun shield: ASA resin, coated (Paint color: Fine silver) Dome: Clear polycarbonate resin

¹⁾ When power is on continuously, the camera's interior temperature is -10 °C (14 °F) or higher

Pan and Tilt

Panning Range	360 ° endless
Panning Modes	Manual, auto, manual position, sequential position
Panning Speed ²⁾	Manual: approx. 0.065 °/s ~ 120 °/s 8 steps, 16 steps, 64 steps Preset: approx. 400 °/s
Tilting Range	-5 ° ~ 185 ° (horizontal - vertical - horizontal) (According to the TILT ANGLE)
Tilting Modes	Manual, manual position, sequential position
Tilting Speed ²⁾	Manual: approx. 0.065 °/s ~ 120 °/s 8 steps, 16 steps, 64 steps Preset: approx. 400 °/s

²⁾ Actual speed depends on type of controller being used.

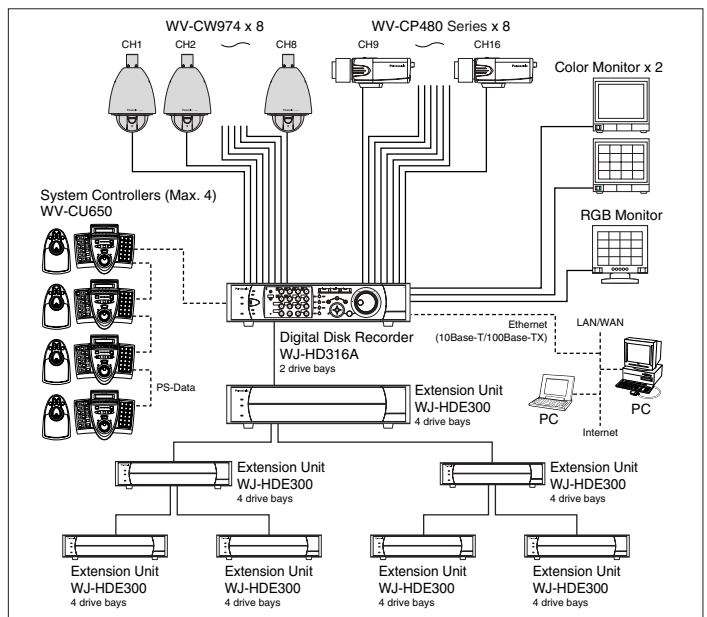
Lens

Zoom Ratio	30x (approx. 300x with digital zoom)
Focal Length	3.8 mm ~ 114 mm
Maximum Aperture Ratio	1:1.4 (WIDE) ~ 3.6 (TELE)
Object Distance	1.5 m
Iris Range	F1.4 ~ 22, Close
Angular Field of View	Horizontal: 1.8 ° (TELE) ~ 52 ° (WIDE), Vertical: 1.4 ° (TELE) ~ 40 ° (WIDE)

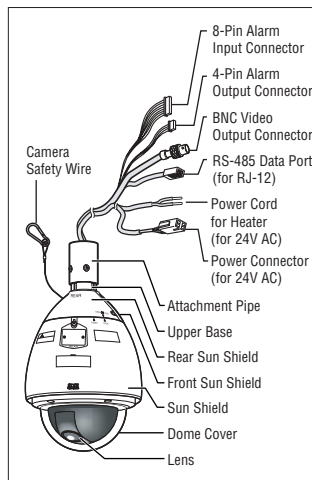
Main Functions

Controller Interface	Coaxial Multiplex System, RS-485
Control Functions	Pan and tilt, zoom and focus, 256 preset positions, home position, patrol
AGC	ON (LOW), ON (MID), ON (HIGH), OFF
Title (ID)	ON, OFF (Preset ID, camera ID, area title: 16 alphanumeric characters)
Zoom Speed	approx. 6.0 seconds (TELE - WIDE) in manual mode
Zoom Limit	1x ~ 300x (Over 30x is digital zoom)
Password Lock	All menus
Auto Focus	MANUAL/AUTO (PAN, TILT, ZOOM linked)
Iris	ALC (Adjustable OPEN/CLOSE output target level)/MANUAL
Shutter	OFF (1/60), AUTO, 1/100, 1/250, 1/500, 1/1,000, 1/2,000, 1/4,000, 1/10,000
Electronic Sensitivity Enhancement	32x max. (AUTO or FIX)
Auto Mode	OFF, SEQ, SORT, AUTO PAN, PATROL, AUTO TRACK (detail adjustable)
Auto Pan Key	SEQ, SORT, AUTO PAN, PATROL, AUTO TRACK (detail adjustable)
Digital Flip	ON/OFF
Super Dynamic III	ON/OFF
Motion Detector	OFF/MODE1/MODE2
Alarm Input/Output	4 inputs (ALARM IN 1 ~ ALARM IN 4), 2 outputs (ALARM/AUX1, BW/AUX2)
Black and White Mode Switching	AUTO/ON/OFF
Privacy Zone	ON/OFF (8 zone settings)
Patrol	STOP/PLAY/LEARN
Cleaning	ON/OFF
Image Hold	ON/OFF
Auto Image Stabilizer	ON/OFF
Scene Select Setting	INDOOR (L)/INDOOR (H)/OUTDOOR (L)/OUTDOOR (H)
Language Setting	English, German, French, Italian, Spanish, Russian, Chinese, or Japanese

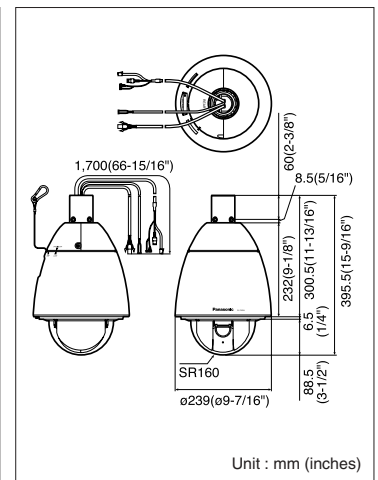
SYSTEM EXAMPLE



MAJOR OPERATING CONTROLS & TERMINALS



APPEARANCE



OPTIONAL COMPONENTS & ACCESSORIES

<p>Digital Disk Recorders WJ-HD316A (16ch) WJ-HD220 (8ch) WJ-HD309A (9ch)</p> <p>PS-Data</p>	<p>System Controller WV-CU650</p> <p>PS-Data</p>
<p>Matrix Systems SYSTEM 650 SYSTEM 150</p>	<p>LCD AV Monitors WV-LC1710 43.2cm (17") WV-LD2000 50.8cm (20") WV-LD1500 38.1cm (15")</p>

Important – Safety Precaution: carefully read the operating instructions and installation manual before using this product.

• All TV pictures are simulated. • Weights and dimensions are approximate. • Specifications are subject to change without notice. • These products may be subject to export control regulations.

Panasonic

Panasonic System Solutions Company
Unit Company of Panasonic Corporation of North America
Security Systems

Website : www.panasonic.com/security

For Customer Support : call 1.877.733.3689

Executive Office : Three Panasonic Way 2H-2, Secaucus, New Jersey 07094

DISTRIBUTED BY:

PANASONIC CANADA INC.

5770 Ambler Drive, Mississauga, Ontario, L4W 2T3 Canada (905) 624-5010

PANASONIC PUERTO RICO INC.

DIVISION OF PANASONIC CORPORATION OF NORTH AMERICA

San Gabriel Industrial Park, 65th Infantry Ave. KM. 9.5 Carolina, P.R. 00985 (809) 750-4300

Printed in Japan

WV-JHCW974T(2P-545)